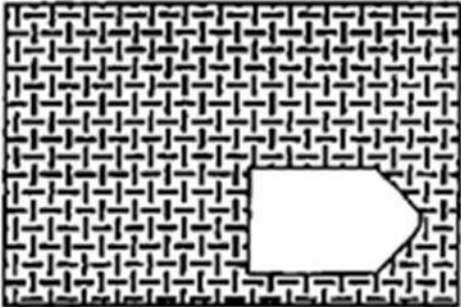
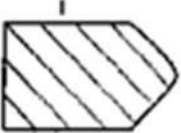
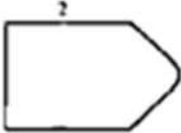

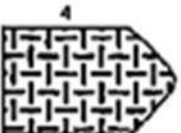


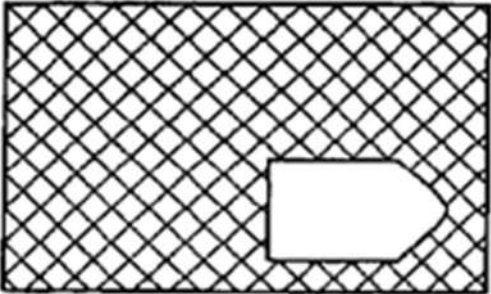
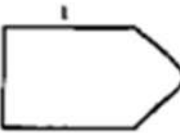
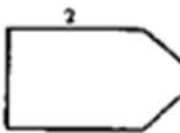
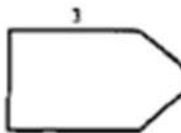
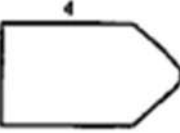
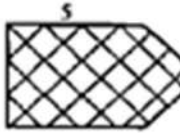

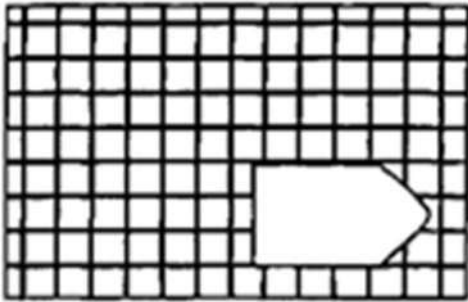
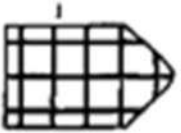
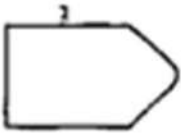
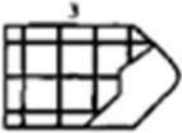

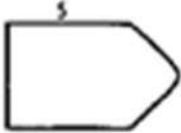
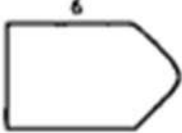
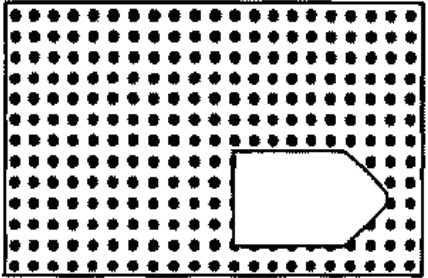
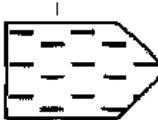
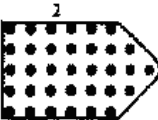
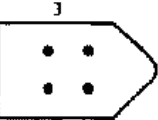
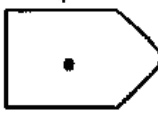
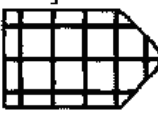

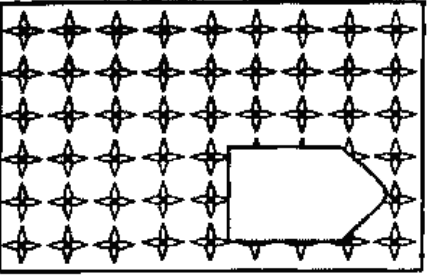
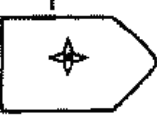
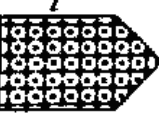
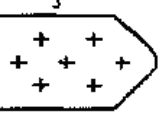
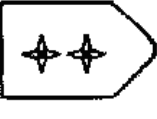

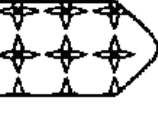







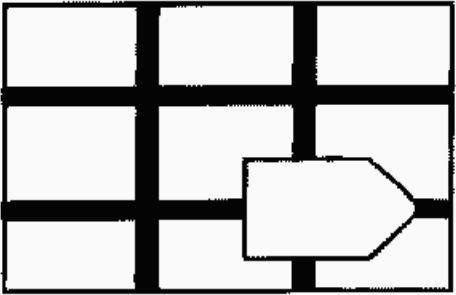

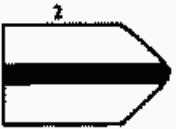
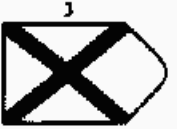
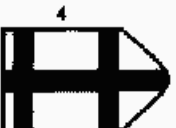
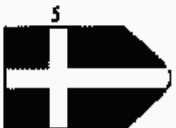
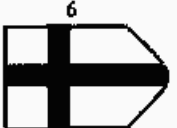
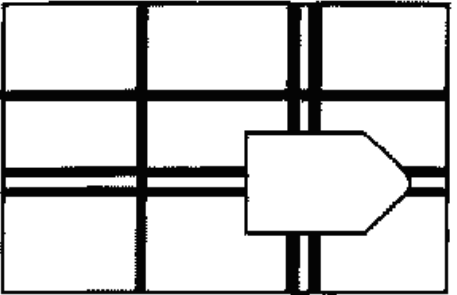
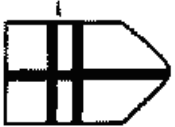
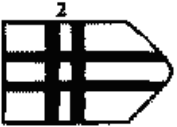
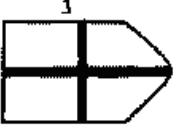

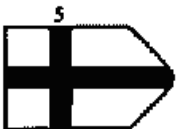
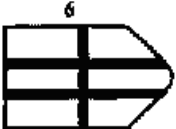


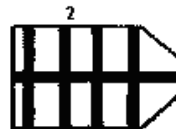




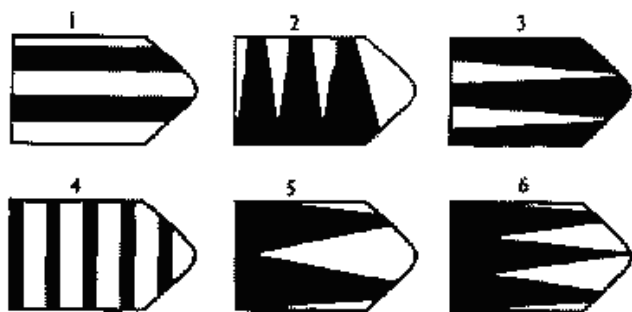


Серия А

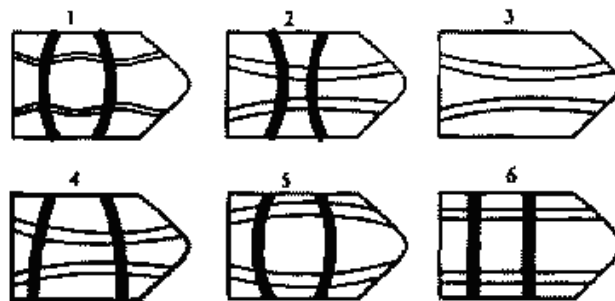
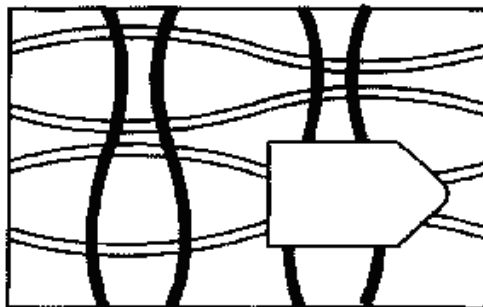
      	      	      
1	2	3

      	      	      
<p>4</p>	<p>5</p>	<p>6</p>

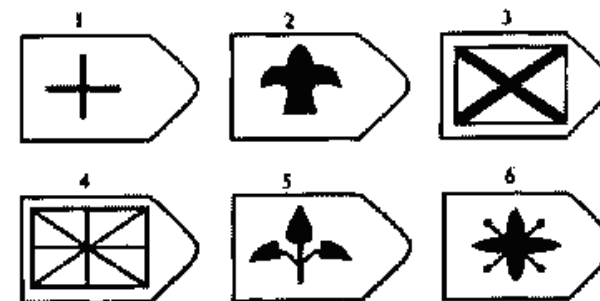
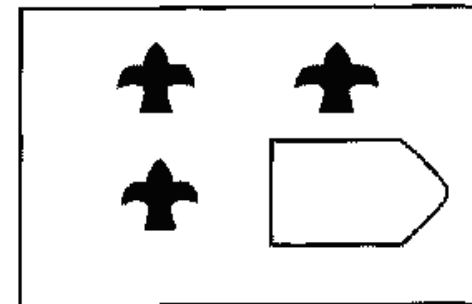
      	      	      
<p>7</p>	<p>8</p>	<p>9</p>



10

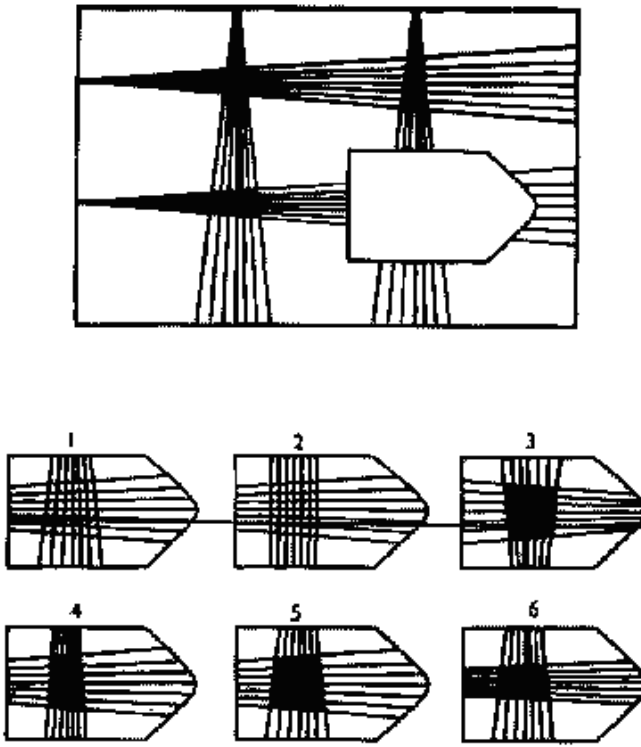
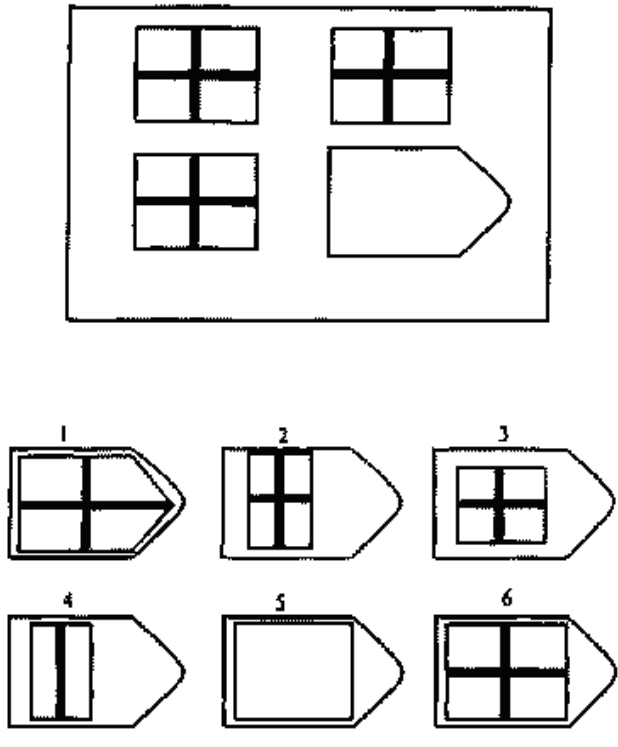
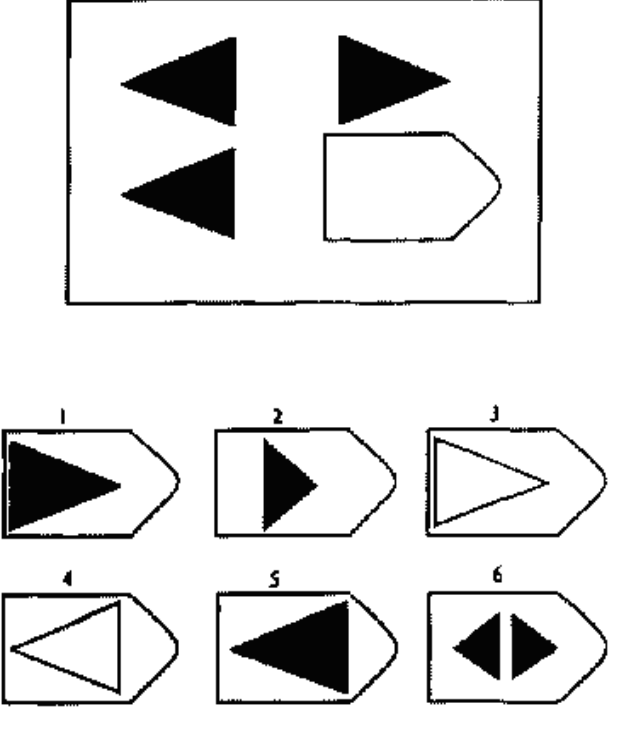


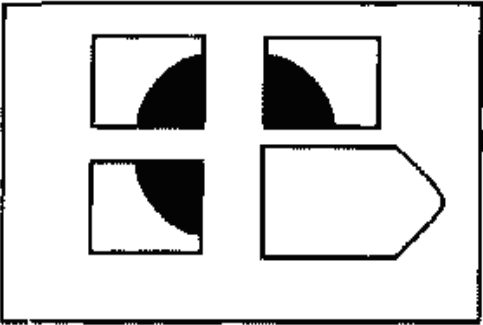
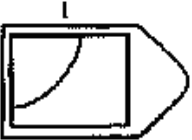
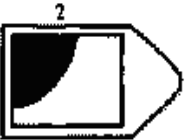
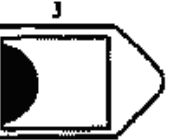

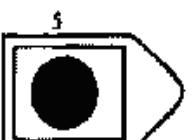

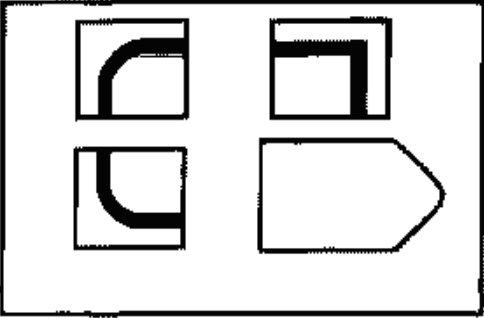

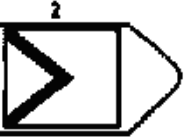




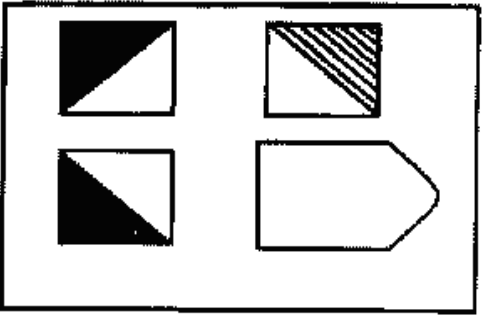

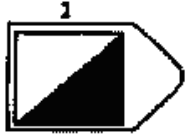
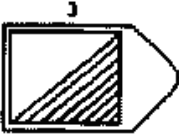
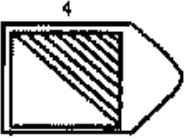
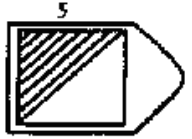
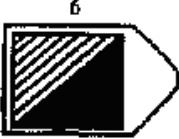
11

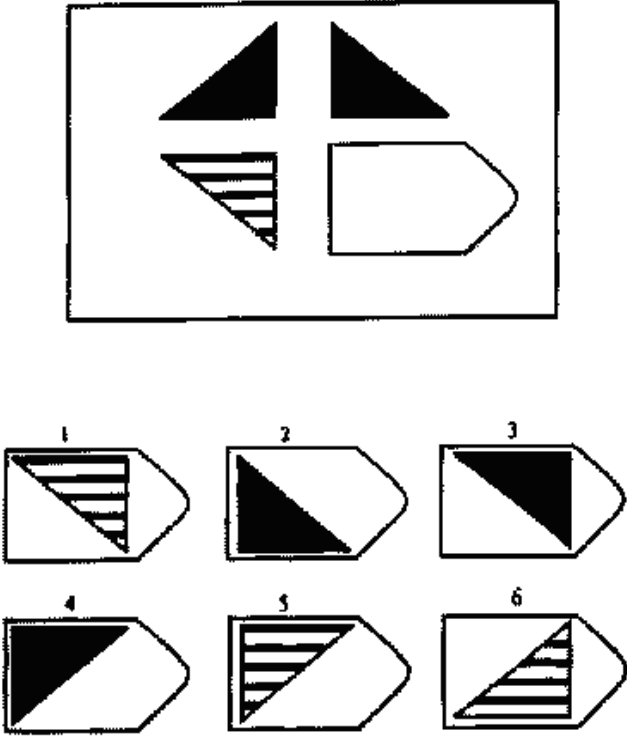
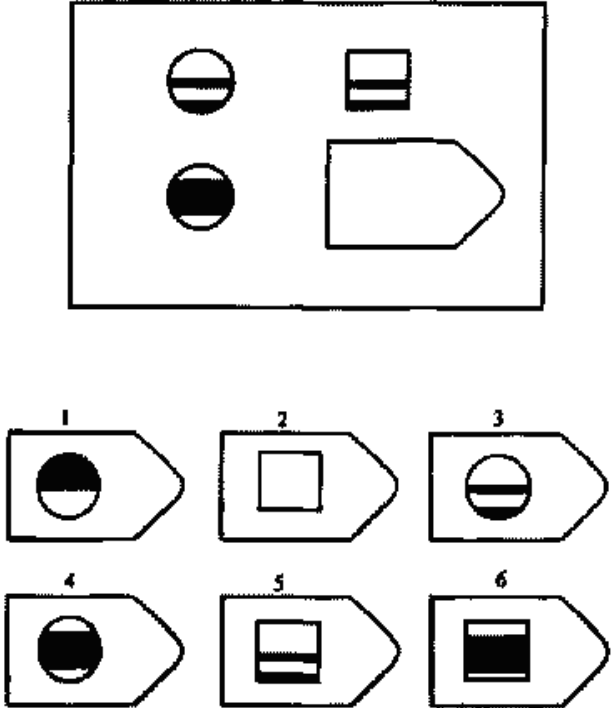
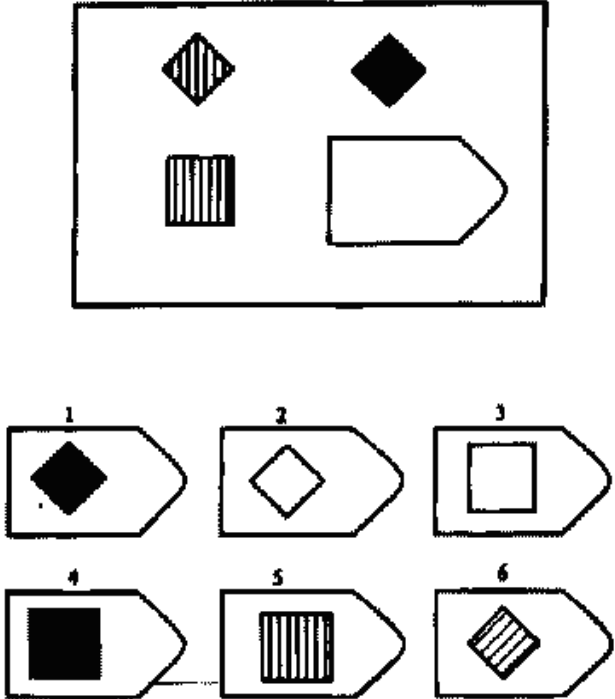


12

Серия В

 <p>1</p>	 <p>2</p>	 <p>3</p>
---	--	---

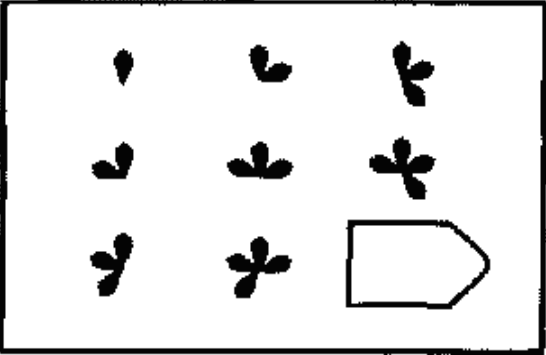








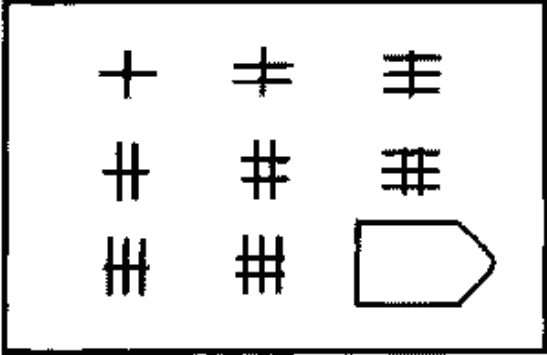

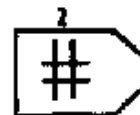
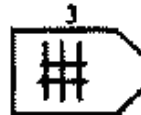
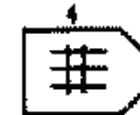
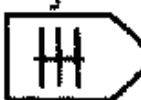

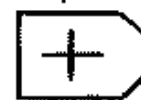

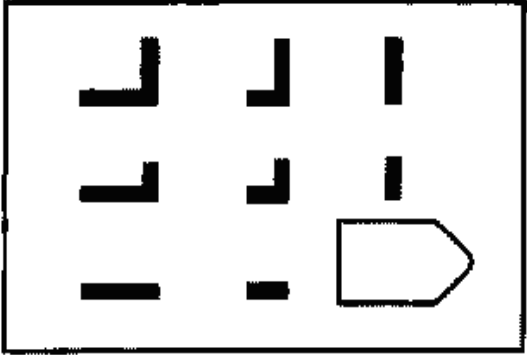

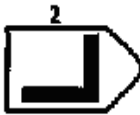
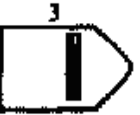





      	      	      
<p>4</p>	<p>5</p>	<p>6</p>

		
<p>7</p>	<p>8</p>	<p>9</p>

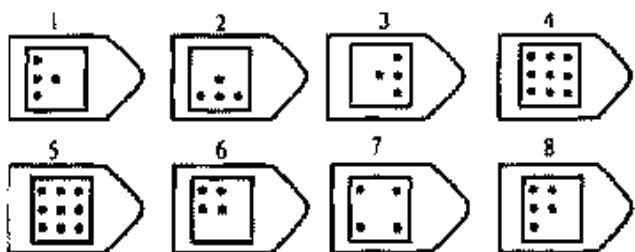
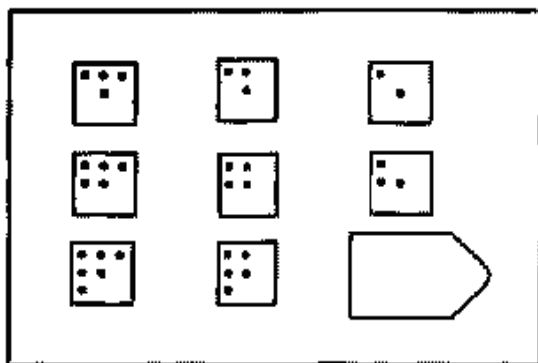
<p>10</p>	<p>11</p>	<p>12</p>
-----------	-----------	-----------

Серия С

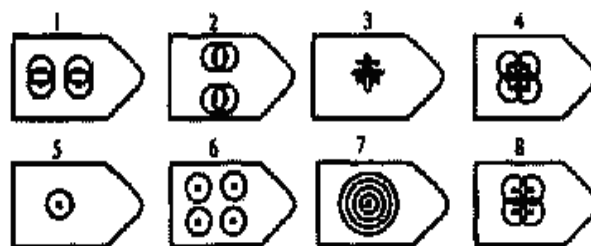
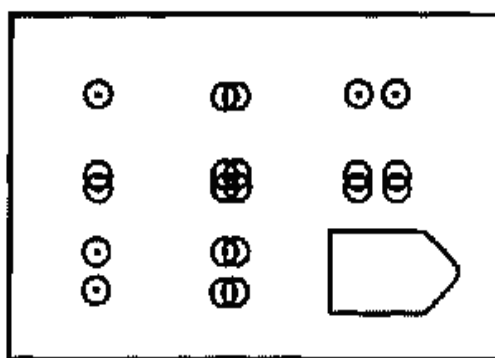
<p>1</p>	<p>2</p>	<p>3</p>
----------	----------	----------

        	        	        
<p>4</p>	<p>5</p>	<p>6</p>

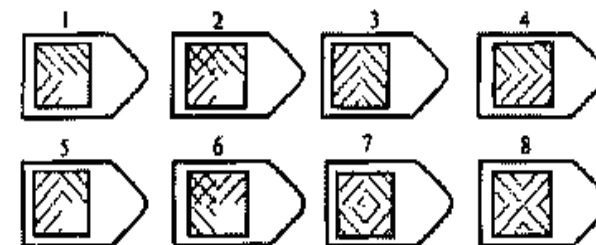
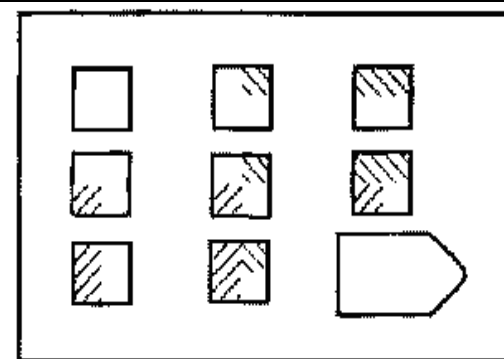
<p>7</p>	<p>8</p>	<p>9</p>



10



11



12

Серия D

<div data-bbox="190 343 728 718" style="border: 1px solid black; padding: 10px; margin-bottom: 20px;"> </div> <div data-bbox="134 829 772 1101"> <p>1 </p> <p>2 </p> <p>3 </p> <p>4 </p> <p>5 </p> <p>6 </p> <p>7 </p> <p>8 </p> </div>	<div data-bbox="896 343 1411 718" style="border: 1px solid black; padding: 10px; margin-bottom: 20px;"> </div> <div data-bbox="840 829 1456 1101"> <p>1 </p> <p>2 </p> <p>3 </p> <p>4 </p> <p>5 </p> <p>6 </p> <p>7 </p> <p>8 </p> </div>	<div data-bbox="1601 335 2116 710" style="border: 1px solid black; padding: 10px; margin-bottom: 20px;"> </div> <div data-bbox="1545 829 2161 1101"> <p>1 </p> <p>2 </p> <p>3 </p> <p>4 </p> <p>5 </p> <p>6 </p> <p>7 </p> <p>8 </p> </div>
1	2	3

<div data-bbox="183 300 734 657" style="border: 1px solid black; padding: 10px; margin-bottom: 20px;"> </div> <div data-bbox="129 778 784 1024"> <p>1 2 3 4 5 6 7 8 </p> </div> <p style="text-align: center;">4</p>	<div data-bbox="896 300 1424 657" style="border: 1px solid black; padding: 10px; margin-bottom: 20px;"> </div> <div data-bbox="846 785 1469 1034"> <p>1 2 3 4 5 6 7 8 </p> </div> <p style="text-align: center;">5</p>	<div data-bbox="1594 300 2105 657" style="border: 1px solid black; padding: 10px; margin-bottom: 20px;"> </div> <div data-bbox="1545 785 2150 1034"> <p>1 2 3 4 5 6 7 8 </p> </div> <p style="text-align: center;">6</p>
---	---	---

<p>1 2 3 4 </p> <p>5 6 7 8 </p>	<p>1 2 3 4 </p> <p>5 6 7 8 </p>	<p>1 2 3 4 </p> <p>5 6 7 8 </p>
7	8	9

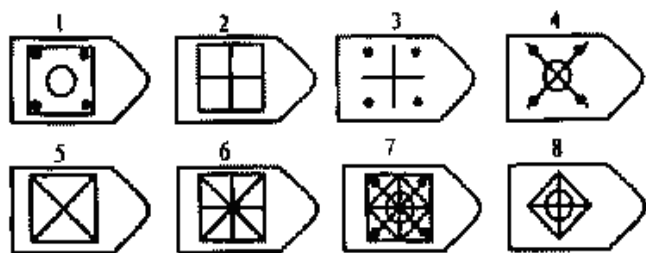
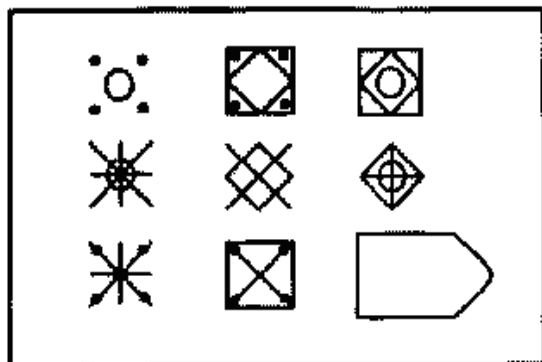
<div data-bbox="183 331 734 687" style="border: 1px solid black; padding: 10px; text-align: center;"> </div> <div data-bbox="129 810 779 1059" style="display: flex; flex-wrap: wrap; justify-content: space-around; padding: 10px;"> <div style="text-align: center; margin: 5px;">1 </div> <div style="text-align: center; margin: 5px;">2 </div> <div style="text-align: center; margin: 5px;">3 </div> <div style="text-align: center; margin: 5px;">4 </div> <div style="text-align: center; margin: 5px;">5 </div> <div style="text-align: center; margin: 5px;">6 </div> <div style="text-align: center; margin: 5px;">7 </div> <div style="text-align: center; margin: 5px;">8 </div> </div>	<div data-bbox="869 331 1420 687" style="border: 1px solid black; padding: 10px; text-align: center;"> </div> <div data-bbox="815 810 1464 1059" style="display: flex; flex-wrap: wrap; justify-content: space-around; padding: 10px;"> <div style="text-align: center; margin: 5px;">1 </div> <div style="text-align: center; margin: 5px;">2 </div> <div style="text-align: center; margin: 5px;">3 </div> <div style="text-align: center; margin: 5px;">4 </div> <div style="text-align: center; margin: 5px;">5 </div> <div style="text-align: center; margin: 5px;">6 </div> <div style="text-align: center; margin: 5px;">7 </div> <div style="text-align: center; margin: 5px;">8 </div> </div>	<div data-bbox="1594 331 2123 687" style="border: 1px solid black; padding: 10px; text-align: center;"> </div> <div data-bbox="1541 810 2168 1059" style="display: flex; flex-wrap: wrap; justify-content: space-around; padding: 10px;"> <div style="text-align: center; margin: 5px;">1 </div> <div style="text-align: center; margin: 5px;">2 </div> <div style="text-align: center; margin: 5px;">3 </div> <div style="text-align: center; margin: 5px;">4 </div> <div style="text-align: center; margin: 5px;">5 </div> <div style="text-align: center; margin: 5px;">6 </div> <div style="text-align: center; margin: 5px;">7 </div> <div style="text-align: center; margin: 5px;">8 </div> </div>
10	11	12

Серия Е

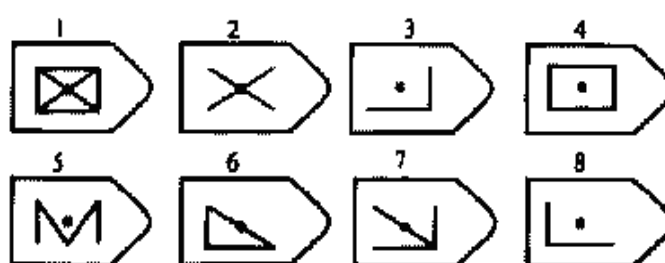
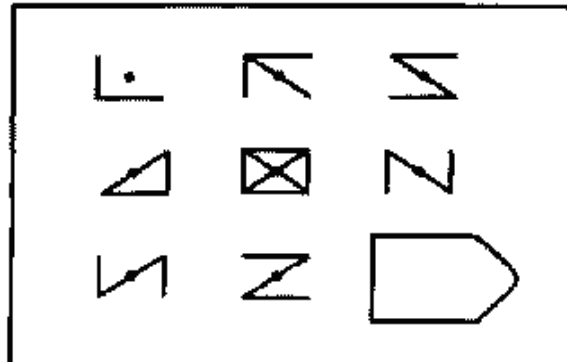
<div data-bbox="183 347 734 715" style="border: 1px solid black; padding: 10px; text-align: center;"> </div> <div data-bbox="129 837 784 1093" style="display: flex; flex-wrap: wrap; justify-content: space-around;"> <div style="text-align: center; margin: 5px;">1 </div> <div style="text-align: center; margin: 5px;">2 </div> <div style="text-align: center; margin: 5px;">3 </div> <div style="text-align: center; margin: 5px;">4 </div> <div style="text-align: center; margin: 5px;">5 </div> <div style="text-align: center; margin: 5px;">6 </div> <div style="text-align: center; margin: 5px;">7 </div> <div style="text-align: center; margin: 5px;">8 </div> </div>	<div data-bbox="891 347 1415 715" style="border: 1px solid black; padding: 10px; text-align: center;"> </div> <div data-bbox="840 837 1467 1093" style="display: flex; flex-wrap: wrap; justify-content: space-around;"> <div style="text-align: center; margin: 5px;">1 </div> <div style="text-align: center; margin: 5px;">2 </div> <div style="text-align: center; margin: 5px;">3 </div> <div style="text-align: center; margin: 5px;">4 </div> <div style="text-align: center; margin: 5px;">5 </div> <div style="text-align: center; margin: 5px;">6 </div> <div style="text-align: center; margin: 5px;">7 </div> <div style="text-align: center; margin: 5px;">8 </div> </div>	<div data-bbox="1579 347 2116 715" style="border: 1px solid black; padding: 10px; text-align: center;"> </div> <div data-bbox="1527 837 2161 1093" style="display: flex; flex-wrap: wrap; justify-content: space-around;"> <div style="text-align: center; margin: 5px;">1 </div> <div style="text-align: center; margin: 5px;">2 </div> <div style="text-align: center; margin: 5px;">3 </div> <div style="text-align: center; margin: 5px;">4 </div> <div style="text-align: center; margin: 5px;">5 </div> <div style="text-align: center; margin: 5px;">6 </div> <div style="text-align: center; margin: 5px;">7 </div> <div style="text-align: center; margin: 5px;">8 </div> </div>
1	2	3

<div data-bbox="197 327 721 694" style="border: 1px solid black; padding: 5px;"> </div> <div data-bbox="145 821 772 1077" style="display: flex; flex-wrap: wrap; justify-content: space-around;"> <div style="text-align: center;">1 </div> <div style="text-align: center;">2 </div> <div style="text-align: center;">3 </div> <div style="text-align: center;">4 </div> <div style="text-align: center;">5 </div> <div style="text-align: center;">6 </div> <div style="text-align: center;">7 </div> <div style="text-align: center;">8 </div> </div>	<div data-bbox="873 335 1411 702" style="border: 1px solid black; padding: 5px;"> </div> <div data-bbox="817 821 1467 1077" style="display: flex; flex-wrap: wrap; justify-content: space-around;"> <div style="text-align: center;">1 </div> <div style="text-align: center;">2 </div> <div style="text-align: center;">3 </div> <div style="text-align: center;">4 </div> <div style="text-align: center;">5 </div> <div style="text-align: center;">6 </div> <div style="text-align: center;">7 </div> <div style="text-align: center;">8 </div> </div>	<div data-bbox="1612 327 2116 678" style="border: 1px solid black; padding: 5px;"> </div> <div data-bbox="1556 798 2161 1045" style="display: flex; flex-wrap: wrap; justify-content: space-around;"> <div style="text-align: center;">1 </div> <div style="text-align: center;">2 </div> <div style="text-align: center;">3 </div> <div style="text-align: center;">4 </div> <div style="text-align: center;">5 </div> <div style="text-align: center;">6 </div> <div style="text-align: center;">7 </div> <div style="text-align: center;">8 </div> </div>
4	5	6

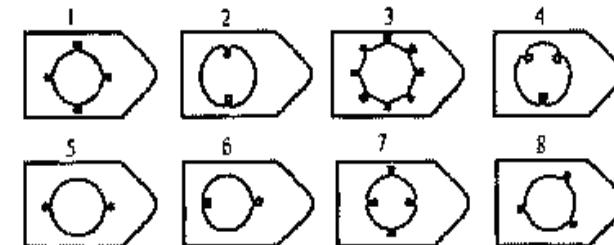
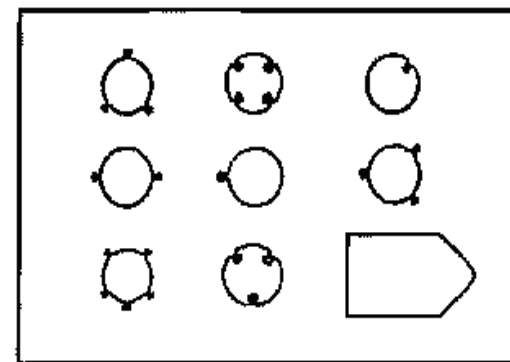
<p>1 2 3 4 </p> <p>5 6 7 8 </p>	<p>1 2 3 4 </p> <p>5 6 7 8 </p>	<p>1 2 3 4 </p> <p>5 6 7 8 </p>
7	8	9



10



11



12